

EV CHARGING CABLE RETRACTOR

ELECTRIC VEHICLE CHARGING CABLE MANAGEMENT:

Spring Loaded Tether

Suspends Cable to Effortlessly Draw Back Cable for Convenient Storage

Flexible Mounting Options

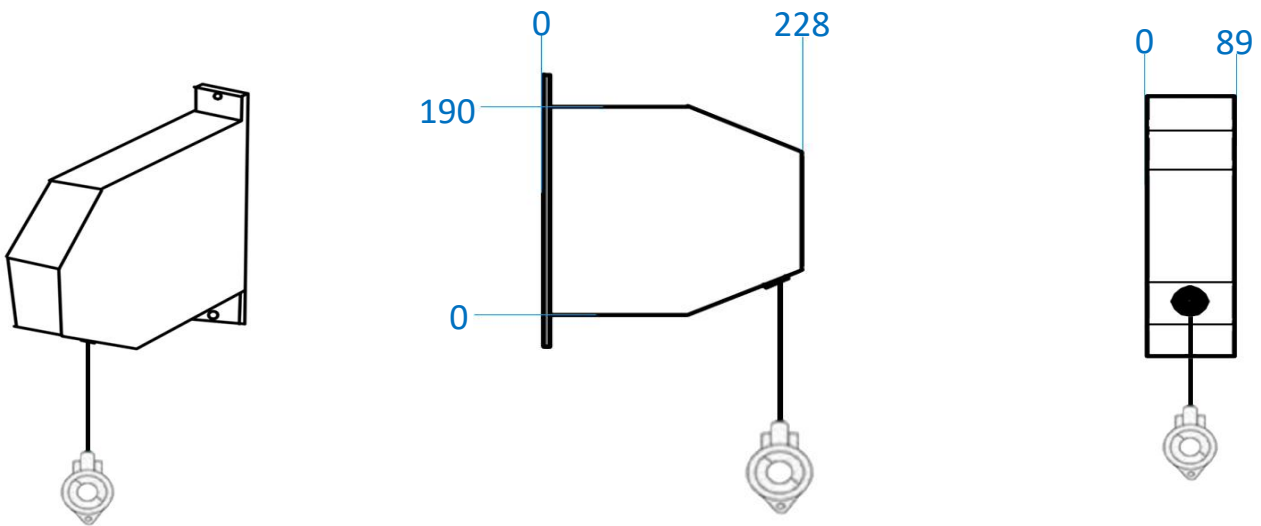
Wallmount, Polemount or Pedestal /Ground Installation

- * A EV Charger Cable Management Solution
- * Extends the Life of Cables by Elevating Them off the Ground
- * Keep the Charging Cables Supported Overhead and Out of the Way

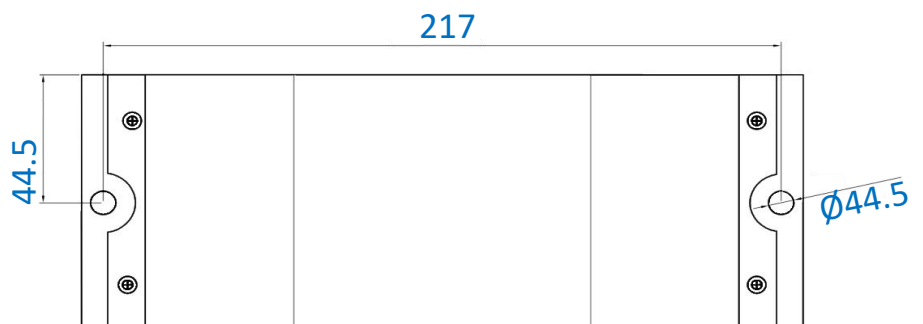


SPECIFICATIONS

Retracting Strength (KG)	5.0KG @ Top Lifting		
	4.0KG @ EV is in Charging		
Retract Range	500CM		
Cable Clamp (Inner Diameter)	0.82"	For 19mm - 22mm Charging Cable	
	0.59"	For 14mm - 17mm Charging Cable	
Enclosure Material:	Steel Housing. Powder Coat Black /White		
Package Info	32*32*13 CM	Dimension	
Carton Info (3 Packs)	42*33*33 CM	Dimension	18.0KG Gross Weight



Installation Dimension

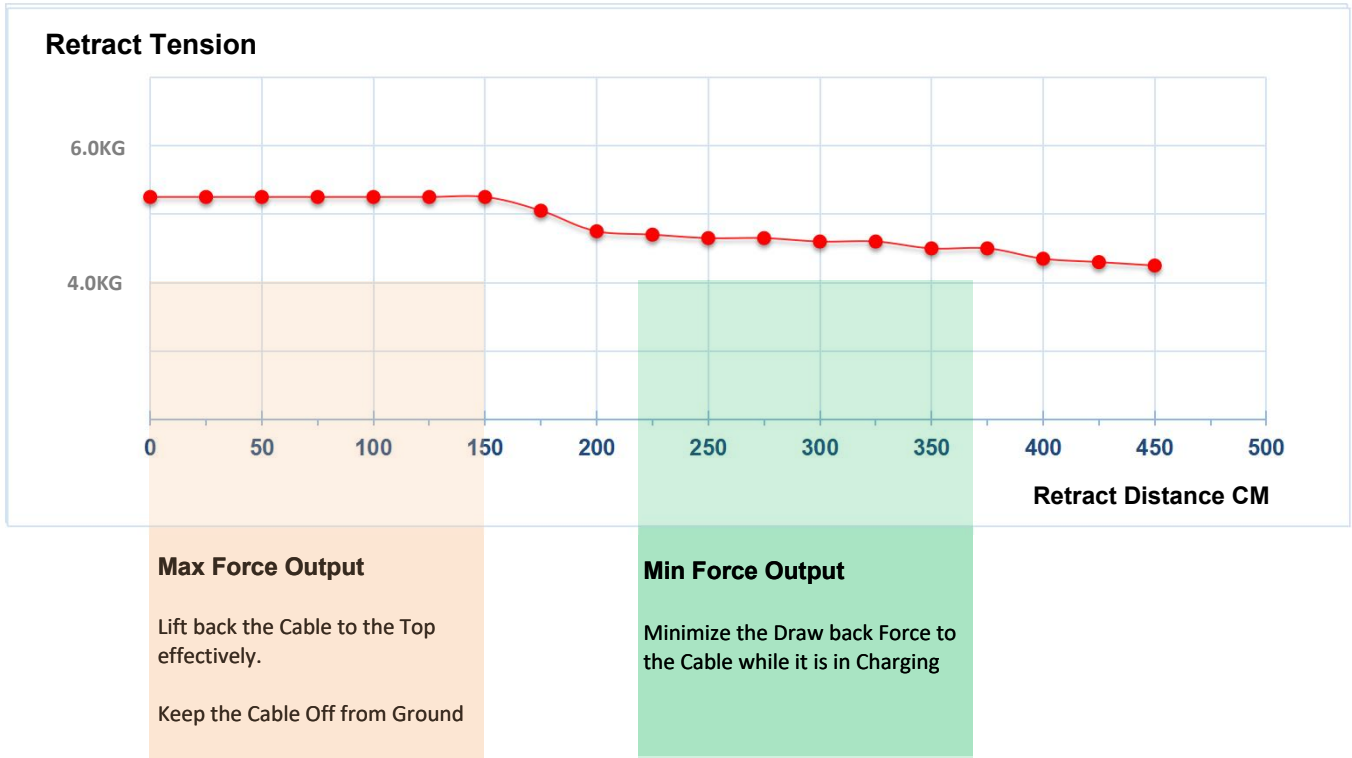


RETRACT FORCE DISTRIBUTION

SF.C050500 is the newest Design, an idea solution for L2 EV Charging Cable Management

- * Strongest Retract Force Output while the Cable is Been Lifting at Top off the Ground
- * Smallest Retract Force Output while it is in Charging

See Retract Force Output vs Retract Range in below Table



Idea solution for EV Charging Cable Management!

While Charging

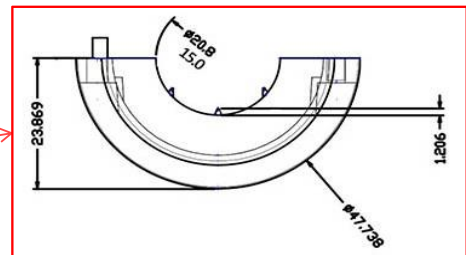
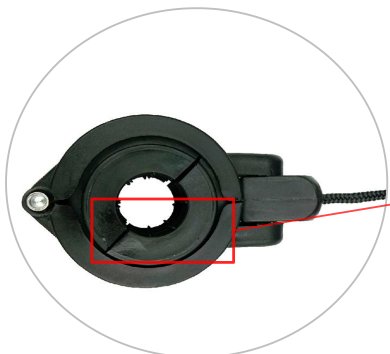
The Retractor Minimizes its Output to Less Effect the Charger Head Capped on the Electric Vehicle.

After Charging

while the Charger Head is back to its Nozzle Holster Dock

The Retractor Outputs Enough Force to Draw Back the Cable and Lift it off the Ground.

CABLE CLAMP



Clamp with 2 Diameter Options

- 0.59" For Cable with OD 14-17MM
- 0.82" For Cable with OD 19-22MM